



Double Ridged Horn Antenna

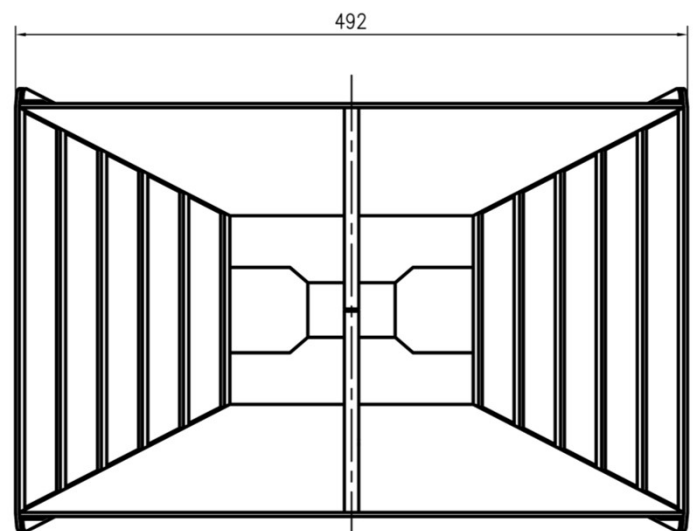
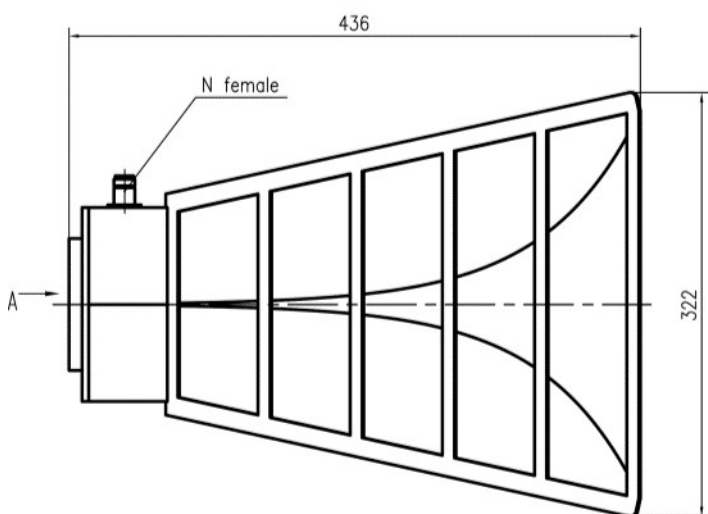
Specification

Model : MDH00406

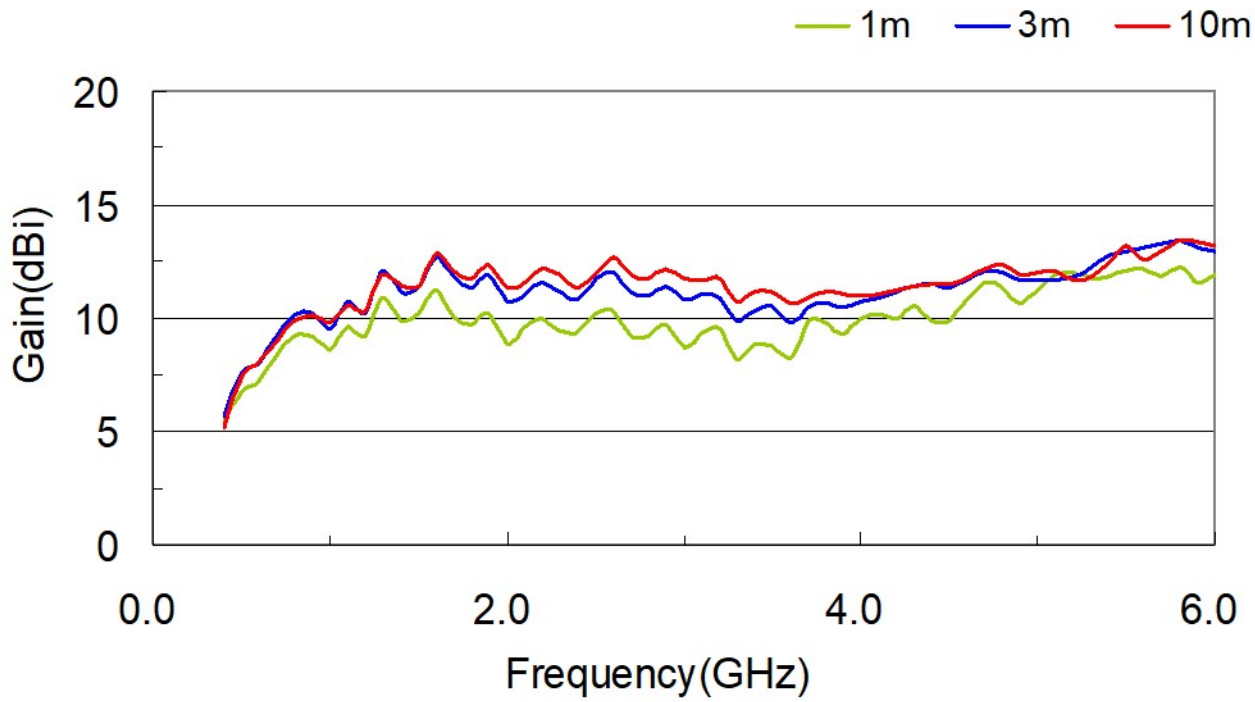


Frequency Range(GHz)	0.4 - 6.0
Gain(dB)	10 Typ.
Polarization	Linear
VSWR	1.5:1 Typ.
Connector	N-F
Power Handling(W)	500 Max. CW
Size(mm)	492 x 322 x 436
Net Weight(kg)	7.4 Around

Outline Drawing (mm)



Antenna Gain (typ.)



Radiation Patterns (typ.)

